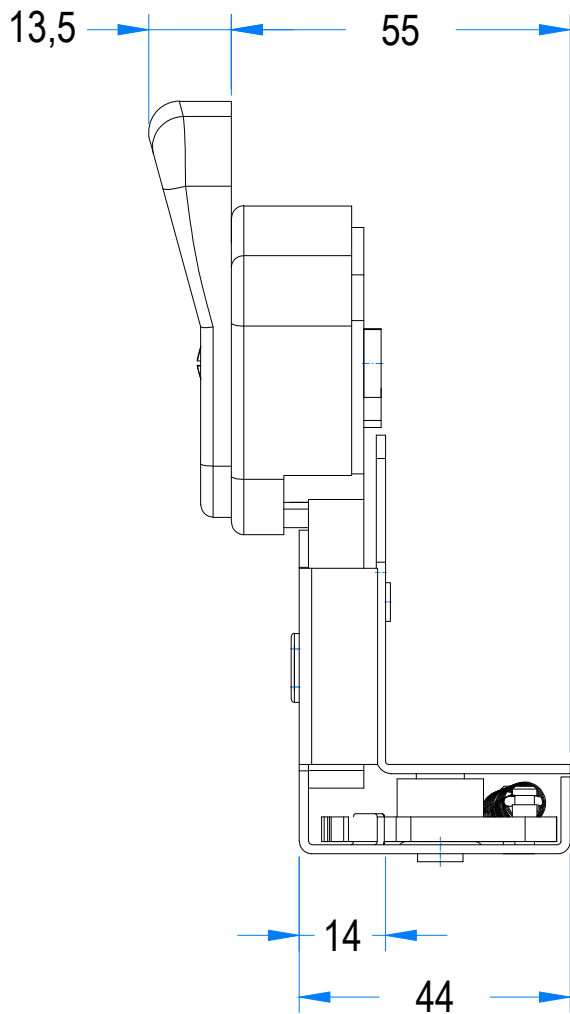
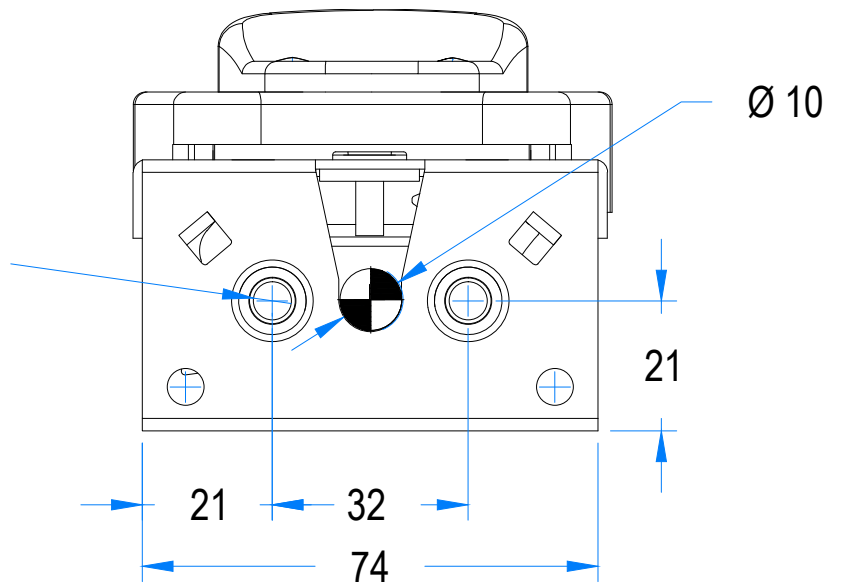


2 Holes
for M6 screws



Open position

