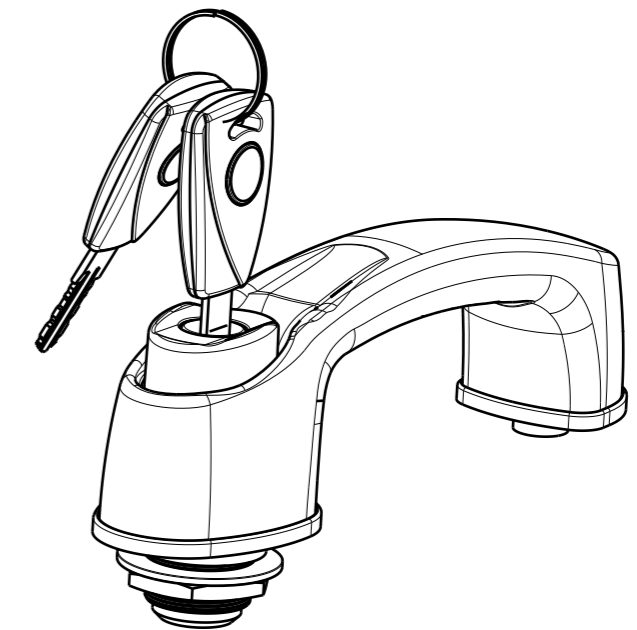
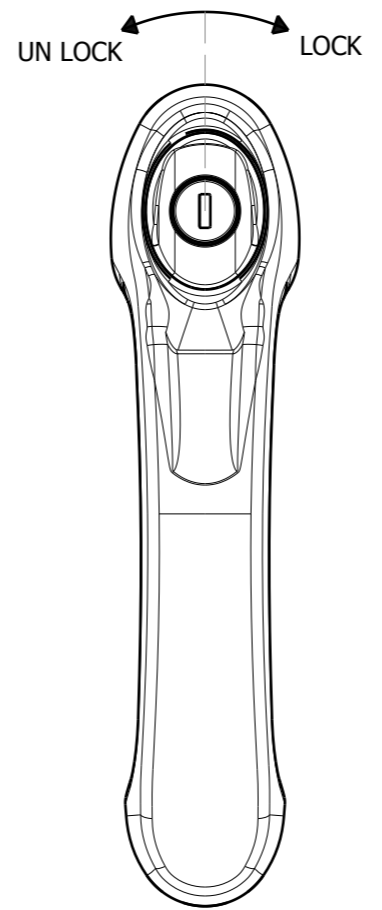
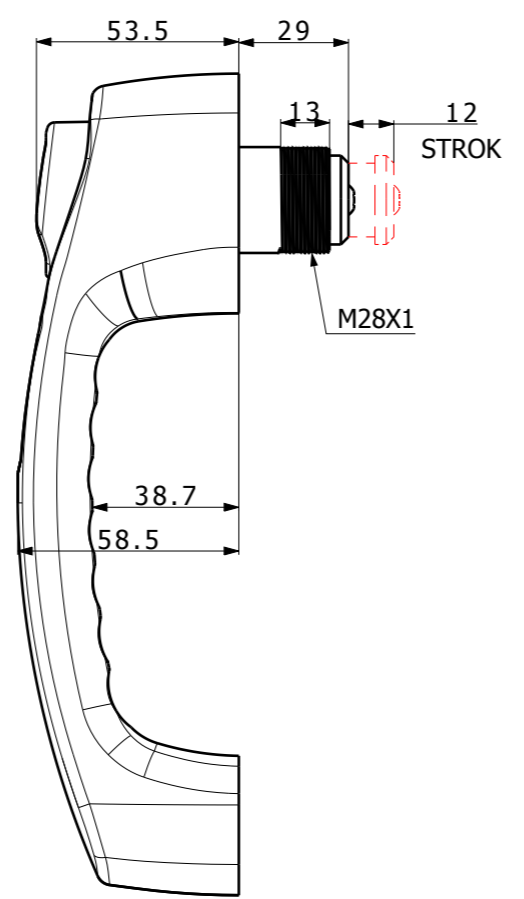
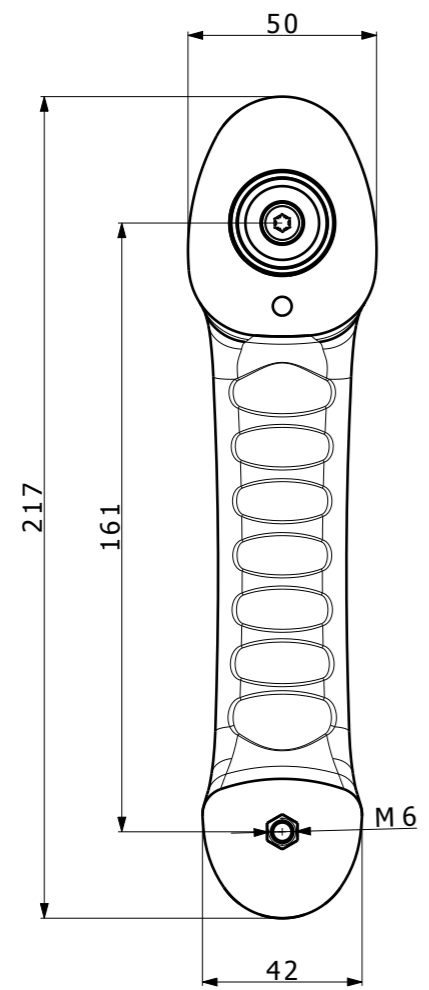
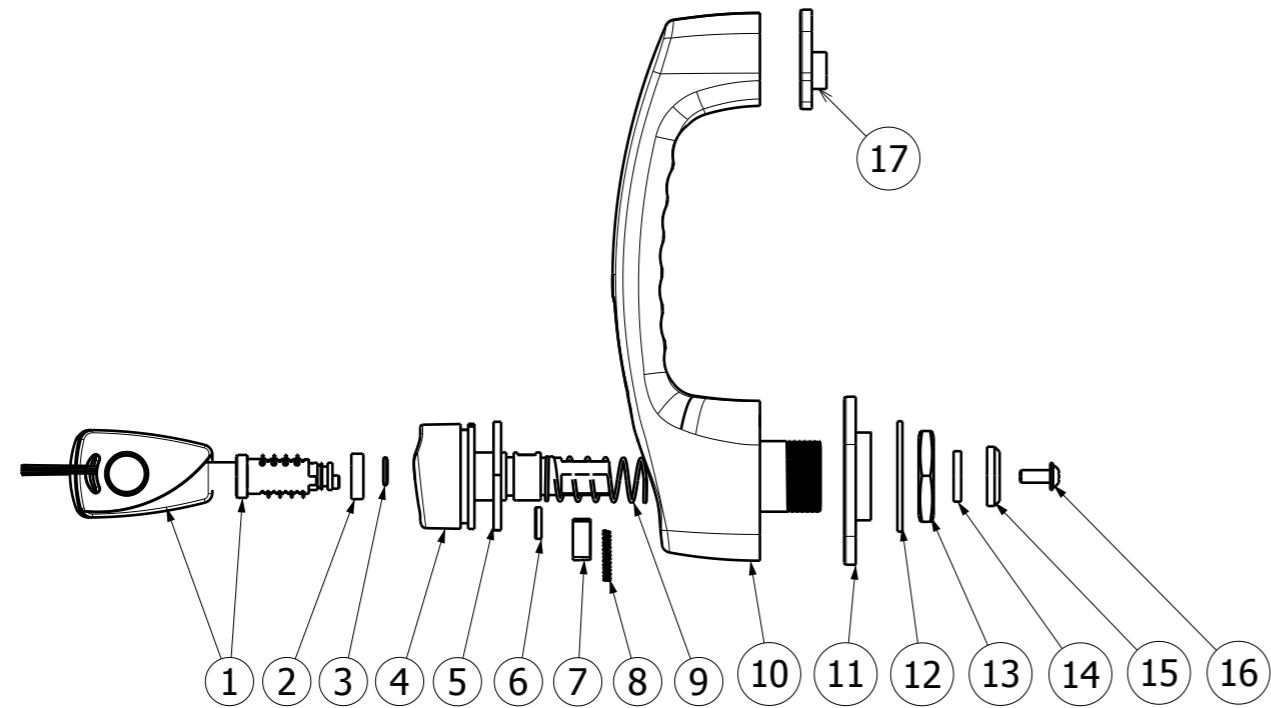


1. KALIP / TOOL NO :



Isometric view  
Scale: 1:2



17	MONTAJ CONTASI ALT/ ASSEMBLY GASKET	1	28770003	ELASTOMER KAUCUK -80SHORE	---
16	MONTAJ VIDASI/ SCREW	1	50100161	DIN 5451	---
15	BASMA FLANSI/ PLASTIC FLANGE	1	26570015	PA-6 GFR 30	---
14	SUNGER CONTA ALT/VULCALON SEALING	1	26570016	POLİÜRETAN SUNGER D15 VOLCULLAN	---
13	MONTAJ SOMUNU M28x1/ NUT	1	26570011	CQ15 (8 KALİTE) ALT.CQ 18	TB-S-201- Fı/Zn 12B MAVİ
12	MONTAJ PULU/ WASHER	1	26570012	DC 01 - ERD 6112	TB-S-201- Fı/Zn 12B MAVİ
11	MONTAJ CONTASI UST/ASSEMBLY GASKET	1	28770002	ELASTOMER KAUCUK -80SHORE	---
10	KULP GOVDESİ/ HANDLE	1	28770001	PA-6 GFR 30	---
9	BASMA YAYI/ SPRING	1	26570003	EN 10270-1 SM	TB-S-201 Fe/Zn 12B
8	KİLİTLEME YAYI / SPRING	1	26570010	EN 10270-1SH	TB-A-201-Fe/Zn 12B
7	KİLİTLEME DİLİ/ LOCKING RATCHET	1	26570006	ZAMAK	---
6	YARIKLI PİM/ SLOTTED PIN	1	50100047	DIN1481	---
5	SUNGER CONTA UST/VULCALON SEALING	1	26570009	POLİÜRETAN SUNGER D15 VOLCULLAN	---
4	BASMA BUTONU/ PUSH BUTTON	1	26570002	PA-6 GFR 30	---
3	ORING	1	50100351	DIN 3771	---
2	NÜVE CONTASI/ PLASTIC GASKET	1	80050012	DOW PE LDPE 780E	---
1	NÜVE+ANAHTAR/ KEY+KEY BARREL	1	26570007	CuZn38 Pb2+PA6 / ZAMAK	---

MONTAJ NO Assm.No	PARÇA ADI / Part Name	ADET Pcs	PARÇA NO/Part No:	MALZEME/Material	YÜZEY İŞLEM / Surface
----------------------	-----------------------	-------------	-------------------	------------------	-----------------------

STANDART ŞARTNAMESLER
Isıl İşlem /Hardness:
Yüzey Kaplama/Surface Coating:
Kaynak Şart.No/Welding Specification:
Ek Şart.No/Other Spect.: TEST:

İSİM NAME	TARİH DATE	İMZA SIGN	Ref. Parça-Benzer Parça No/ Ref. Part/Similar part:	Malzeme / Material:
Çizen Drawn By	M.ŞAHİN	22.09.2020		
Tasarım Design Check			Müs. No/Cus Code:	Parça Adı /Part Name: <b>KULP / HANDLE</b>
Kontrol Control	M.ÖZMEN		Grup Kod / Group Code:	Parça No: /Part Number: <b>2877</b>
Onay Approval	O.KIRCUVALOĞLU		Genel toleranslar ISO 2768 C General tolerances	
SERİ ÜRETİM İÇİN HAZIRLANDI	A	05.01.20	M.Ş	Ölçek/Scale: 1:2
REVİZYON / CHANGES	REV	Tarih/Date	ÇİZEN	İleri
				Ağırlık/Weight: gr
				Rev. A
				Rfç. No.
				Sayfa No: 1